

ACCESSORIES DATA SHEET

EXTENSION ADAPTERS PROBE CABLES TEST PROBES

cormon

CMEF016.1

Extension Adapters

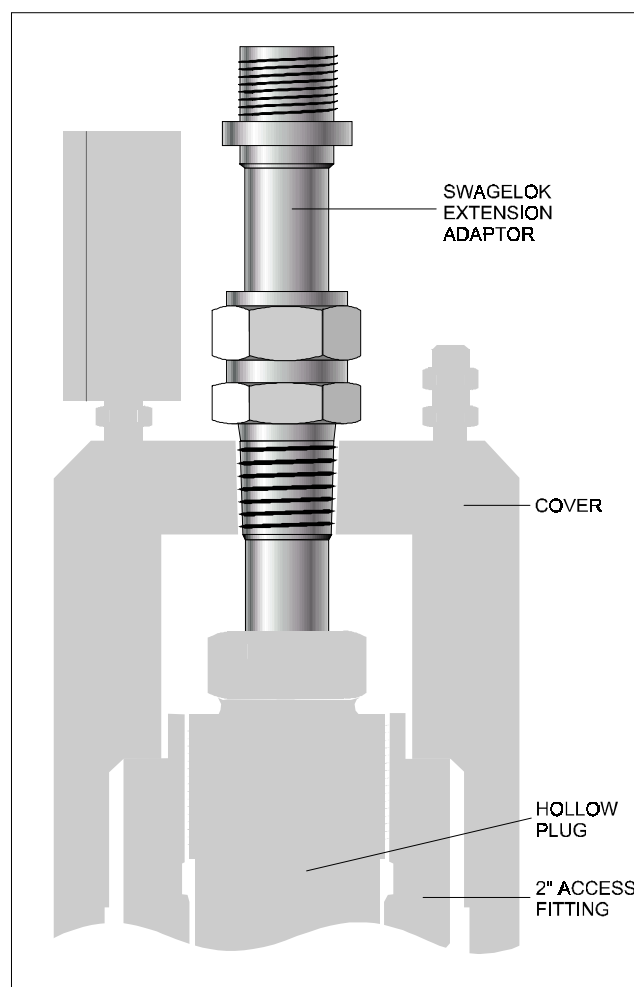
An Extension Adapter is required to make the connection between probe and instrument when an AC series high-pressure probe is installed in a 2" access fitting. Extension Adapters may be permanently installed using a 1/2" NPT compression fitting which mates with the carrier plug or protective cover. This configuration provides a weatherproof permanent connection for on-line or data logging instruments. A short, plain, type is usually used with a portable instrument.

Extension Adapter bodies are made from 316ss. Models with compression fittings have pressure retaining glass sealed connectors allowing them to form part of a secondary containment system in conjunction with a high-pressure heavy duty cover. Pressure rating 6000 psi, temperature +100°C

All male (instrument) connectors are 6 pin, mil spec, shell size 14. Female (probe) connectors are available in the standard large (C) size to fit all Cormon and most other probes, or in a special small (S) size for some other makes.

Specially wired versions of adapters are available as crossover devices for adapting probes with non-standard wiring to Cormon instrumentation. Please contact our sales team with details of your specific requirement.

See over for product ordering information and data on Probe Cables and Test Probes.



CORMON LTD CORROSION MONITORING SYSTEMS

Riverbank Business Centre
Old Shoreham Road
Shoreham-by-sea
West Sussex BN43 5FL
Phone: +44(0)1273 441168
Fax: +44(0)1273 441169
Email: sales@cormon.com

Website: www.cormon.com

BS EN ISO 9001 Registered (BSI: Q5877)



Probe Cables

Extension cables are used to improve ease of access to probes for operators using portable instruments and for extending the probe/instrument distance of data loggers and transmitters. Cables have male and female 6 pin shell size 14 (C) connectors. The male, instrument, end may be ordered as a bulkhead fitting in an IP65 weatherproof polycarbonate junction box for mounting on a post or plate.

Standard cable is grey PVC covered, overall screened, size 16, 0.2 mm, 6 core cable. Cables with HOFR and Halogen Free properties are available to special order.

NOTE

Care should be exercised when adding cable extensions to ER systems as measurement quality may be degraded. Please contact us with the specific probe and instrument types for advice on allowable distances.

Test Probes

Test probes are useful for field diagnostic and test work with probe/instrument systems. When attached to an instrument they give a stable constant response that can be used to check instrument performance.

GEA					
General Electrical Accessory	Type	Length			
	PL - Plain body with large (C) probe connector	092 - 92 mm 206 - 206 mm			
	PR - Plain body with small (S) probe connector				
	SW - with 1/2" NPT threaded compression fitting and large (C) probe connector SR - with 1/2" NPT threaded compression fitting and small (S) probe connector	206 - 206 mm custom lengths to special order			
GEA					
General Electrical Accessory	Type	Length			
	CB - extension cable with standard al. connectors	Length in meters and tenths of meters. Length in whole number meters range 00 - 99 followed by letter M followed by number of tenths range 1 - 9. e.g.: 10M5 = 10.5 meters 05M0 = 5 meters			
	CS - extension cable with St.Stl. connectors				
	JB - Cable with protective box at instrument end, standard al. connectors				
JS - Cable with protective box at instrument end, St. Stl. connector at probe end.					
DCU	ACC				
Data Collection Unit	Accessory	Type			
		TPE - test probe ER TPL - test probe LPR			