

Protective Covers for 2" Access Fittings (AC Series)

cormon

CMEF008.1

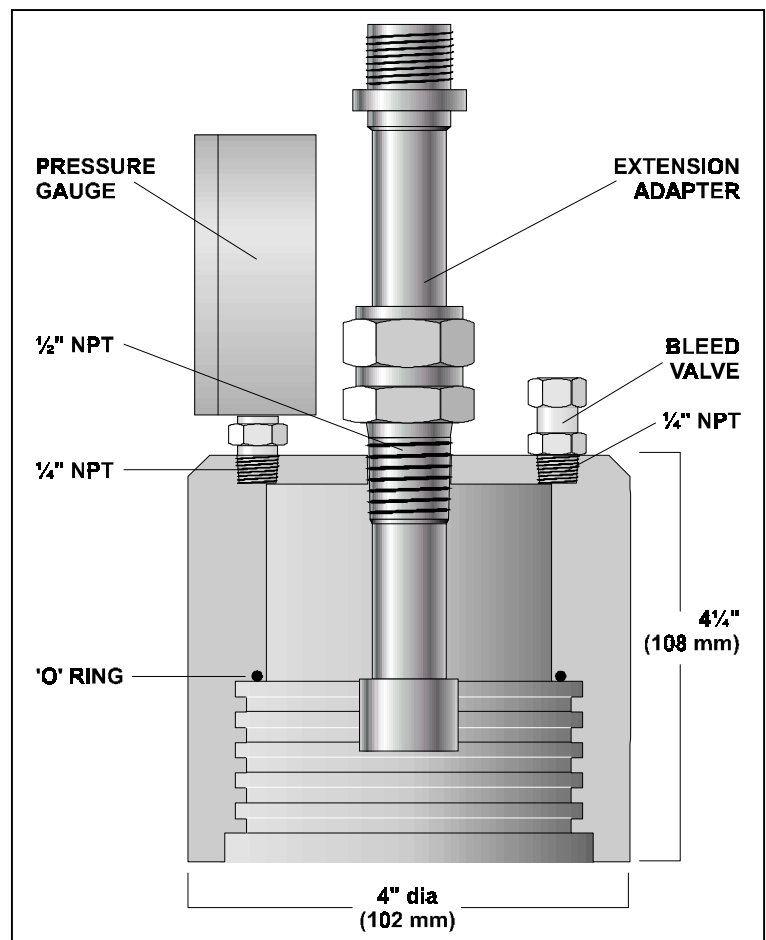
A range of protective covers to fit the 3" ACME thread of a 2" access fitting to meet all requirements from a simple dust cover to a pressure retaining cover with gauge, bleed and swagelock aperture

Plain Heavy Duty

Plain Heavy Duty covers are designed for use in areas where risk of impact damage is high. They are either supplied without a hole or with a hole to allow access to a probe without removing the cover. Wrench holes are provided, one of which is usually a pressure release hole.

High Pressure Covers

The greatest security is obtained by fitting pressure retaining high pressure (HP) covers. These provide both high impact protection and pressure integrity by means of an O ring seal. The mounting holes are designed to bleed of accumulated pressure as the cover is backed off but it is recommended that the bleed valve option is also adopted. Selecting the gauge option gives a valuable indication of pressure accumulation and can be used in conjunction with the bleed valve to establish the rate of any leakage, enabling the cover to be left in place if necessary. The probe access hole in all HP versions is 1/2" NPT to allow a pressure retaining swagelock extension adapter to be fitted. The standard material for all steel covers is carbon steel 070M20, with phosphate/grey epoxy coating finish. Bleed valves and gauges are stainless steel. Gauges are safety pattern and are built to DIN16007. Material certificates are available with HP bodies. Other materials are available to order.



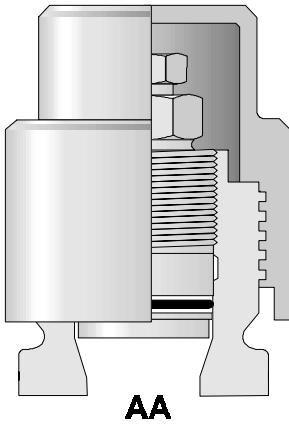
Dust Covers

Dust covers are for temporary protection or for locations where risk of impact damage is minimal. The DD model cover without hole is only for pre-installation protection of fittings, while the EE model can be fitted when the carrier plug (solid or hollow) is in place. The taller JJ version provides closed protection for the fitting and plug. The standard material is grey PVC.

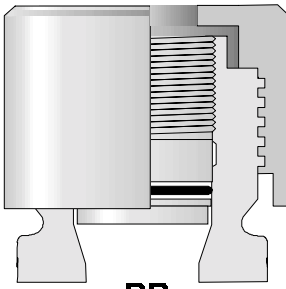
CORMON LTD
CORROSION
MONITORING
SYSTEMS

Riverbank Business Centre
Old Shoreham Road
Shoreham-by-sea
West Sussex BN43 5FL
Phone: +44(0)1273 441168
Fax: +44(0)1273 441169
Email: sales@cormon.com
Website: www.cormon.com
BS EN ISO 9001 Registered (BSI: Q5877)

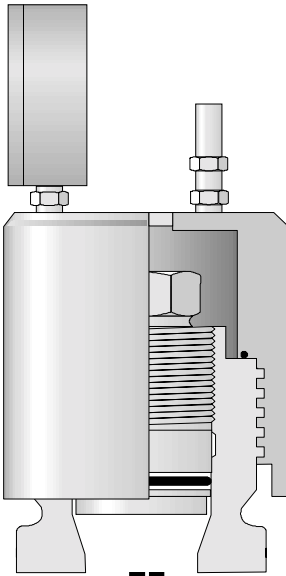




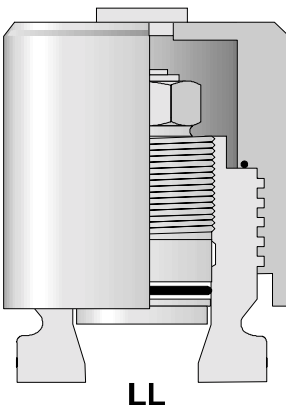
AA



BB



FF



LL

Product Code System

A C O				
System	Style		Mounting	Material
Cover for 2" access fitting	AA	Plain heavy duty cover no hole (top hat)	1PR One pressure relief hole	A06 Carbon steel grade 070M20 painted A05 Carbon steel grade A105 painted <i>Options available – see materials list</i>
	BB	Plain heavy duty with large hole		
	CC	High pressure with valve & gauge – no hole	3PR 3 pressure relief holes	
	FF	High pressure with valve, gauge & hole		
	GG	High pressure with valve only		
	HH	High pressure with valve & centre hole		
	KK	High pressure no holes		
	LL	High pressure with centre hole & plastic plug		
	MM	High pressure with valve & ¼" NPT hole for gauge		
	PP	High pressure with valve, centre hole & ¼" NPT hole for gauge		
DD	Dust cover without hole – short (transit)	000 No holes	S06 PVC Grey	
EE	Dust cover with large hole & short body			
JJ	Dust cover tall – no hole			
RR	Dust cover tall with hole	3BH 3 blind holes		

High pressure types have O ring seals fitted .Valve & gauge holes are ¼" NPT. Centre holes are ½" NPT to receive swagelock extension adapter.

Spare parts & accessories

Viton O ring for HP cover	ACO OR N03
Gauge 2000 psi max, 316ss	AIG 2T1 B03
Gauge 4000 psi max, 316ss	AIG 4TI B03
Gauge 6000 psi max, 316ss	AIG 6T1 B03
Replacement bleed valve 316ss	ACO BV6 B03
Hook wrench for installing covers	ACO TL 100